

## Model SG1-AR0143RGB-0101-GMSL-Hxxx

### Key Features

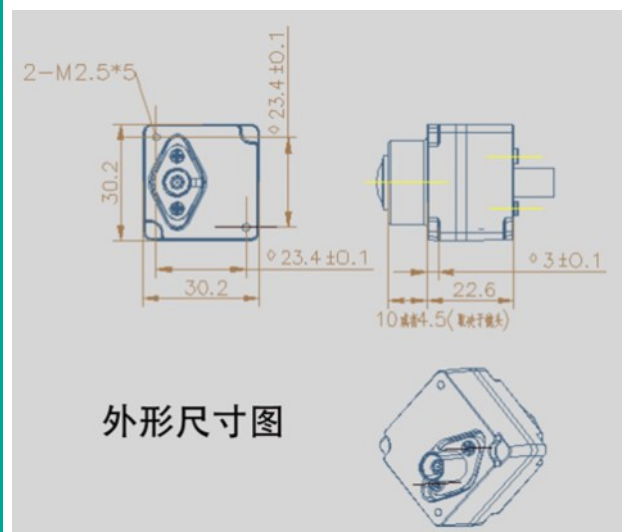
Sensor	ONSEMI 1.3MP AR0143 RGGB
ISP	ONSEMI AP0101
Image Size	1/4 inch CMOS
Output Pixels	1280H * 720V
Pixel Size	3um*3um Back Side Illuminated (BSI)
Frame Rate	1280*720 / 30fps
HDR Range	>120 dB
Output data	Parallel / YUV422-8bit
Output pixel clock	72MHz
Serializer	MAXIM MAX96705
Camera Interface	Coaxial
Power Supply	5~12V POC ( Power Over Coaxial )
Current	<200mA
Connector	Fakra Z Type
Operating temp. range	-40~+85°C
Waterproof	IP67
Dimensions	W: 30mm, L:30mm, H:22.5mm
Weight	<50g
Lens	FOV 60 ~190°



### Application

- Automotive ADAS
- ADAS + Viewing Fusion

### Dimensions

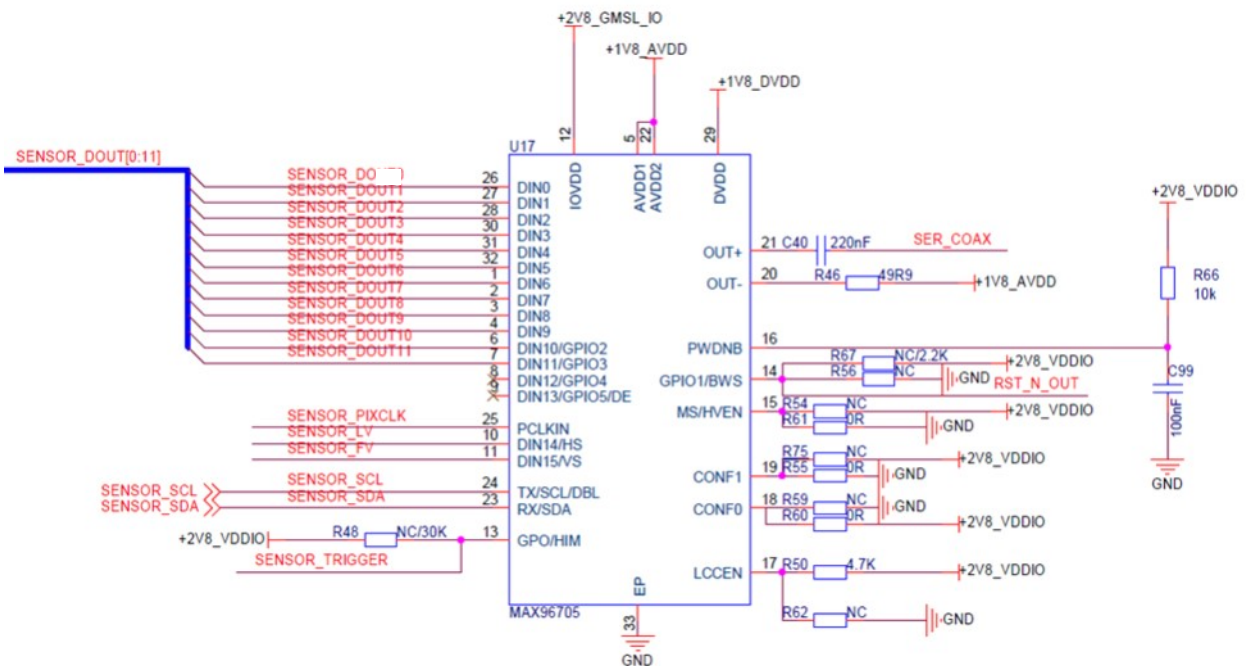


## Model SG1-AR0143RGB-0101-GMSL-Hxxx

### Hardware & Software

Maxim Max96705	
I2C Address	0x80 (8bit address)
HIM	High
BWS	Low
LCCEN	High
MS	Low
CONF0	High
CONF1	Low

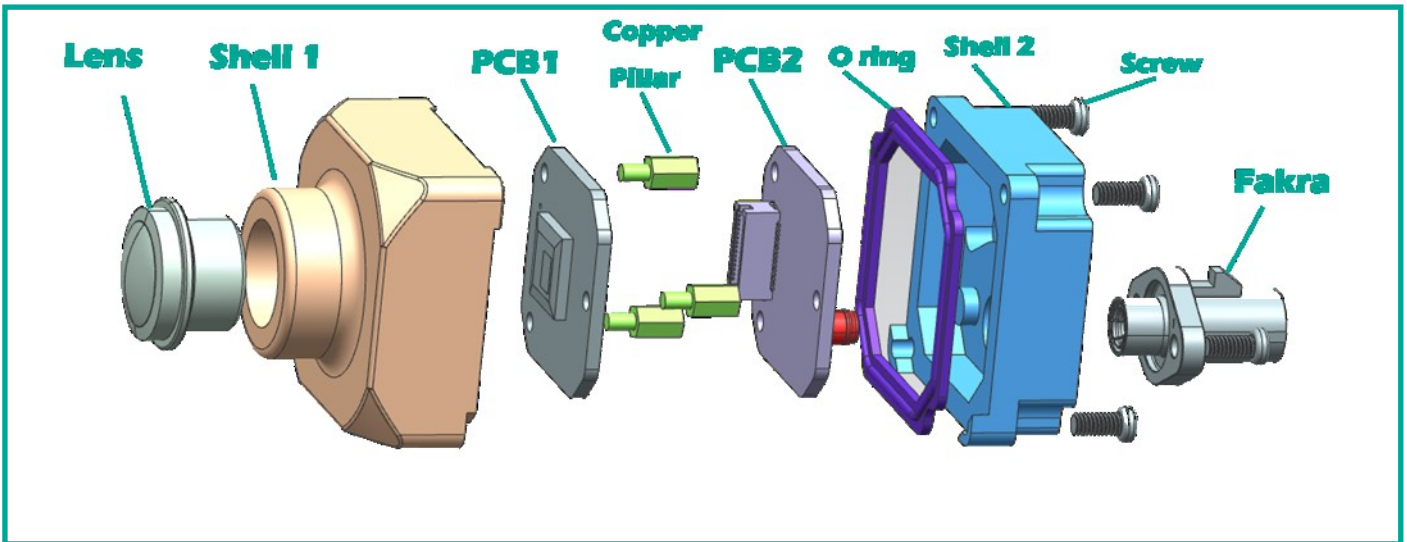
Onsemi AP0101	
I2C Address	0xBA (8bit address)
Frame Sync	Support
Reset	High & Controlled by Max96705 GPIO1
Oscillator	27MHz



MAX96705 Circuit

## Model SG1-AR0143RGB-0101-GMSL-Hxxx

### Bom

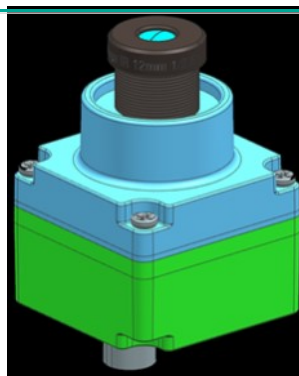


#	Name	SPEC	QTY/SET
1	Lens	M12 Lens	1
2	Shell 1	AL Black/M12	1
3	PCB1	Sensor board	1
4	Copper Pilar	3*Copper	3
5	PCB2	GMSL or GMSL+ISP board	1
6	O ring	silicon rubber	1
7	Shell 2	AL Black	1
8	Screw	M2	4
9	Fakra	Fakra Z Type	1

## Model SG1-AR0143RGB-0101-GMSL-Hxxx

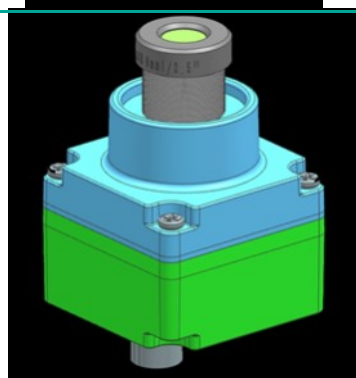
FOV 30度

型号：  
**SG1-AR0143RGB-  
0101-GMSL-H30**



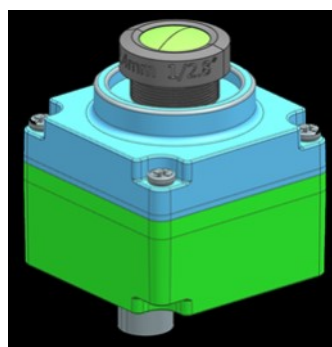
FOV50~60度

型号：  
**SG1-AR0143RGB-  
0101-GMSL-H60**



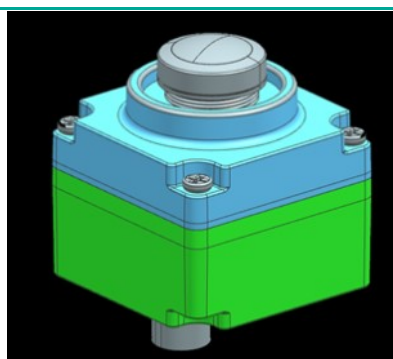
FOV115~120度

型号：  
**SG1-AR0143RGB-  
0101-GMSL-H120**



FOV185~190度

型号：  
**SG1-AR0143RGB-  
0101-GMSL-H190**



## Model SG1-AR0143RGB-0101-GMSL-Hxxx

### Camera and cable

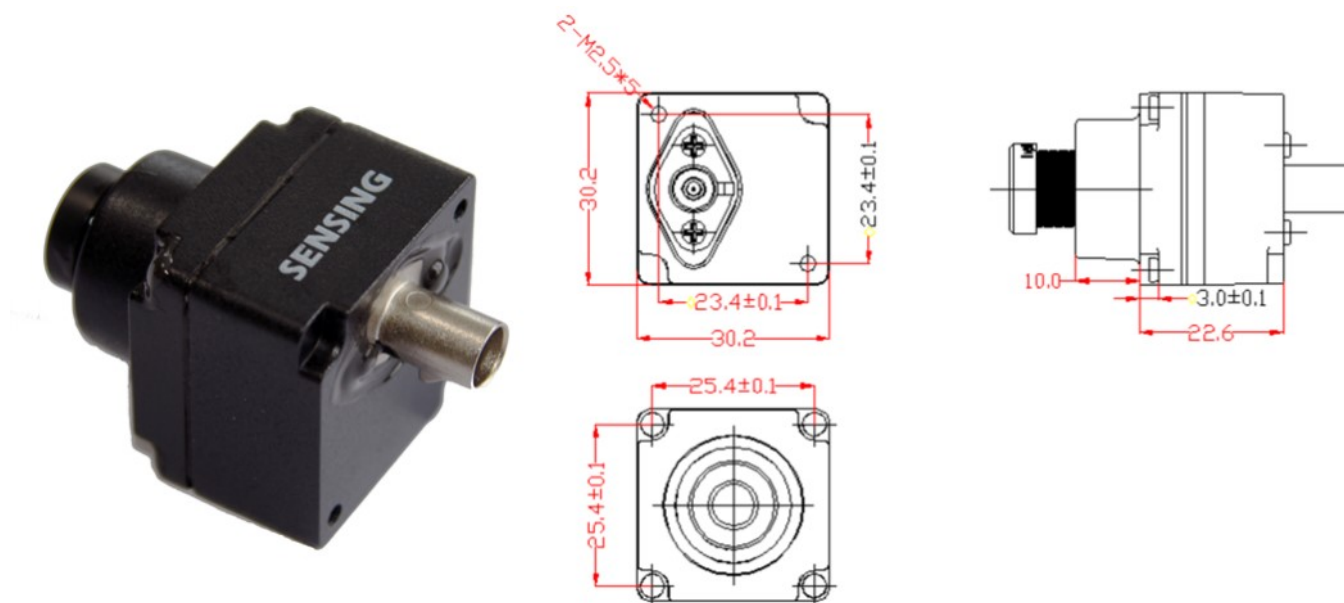


Figure1: Camera Module - Drawing



Figure2: Camera Module + USB3.0 box