

Model SG2-AR0231RGGB-AP0202-GMSL-Hxxx

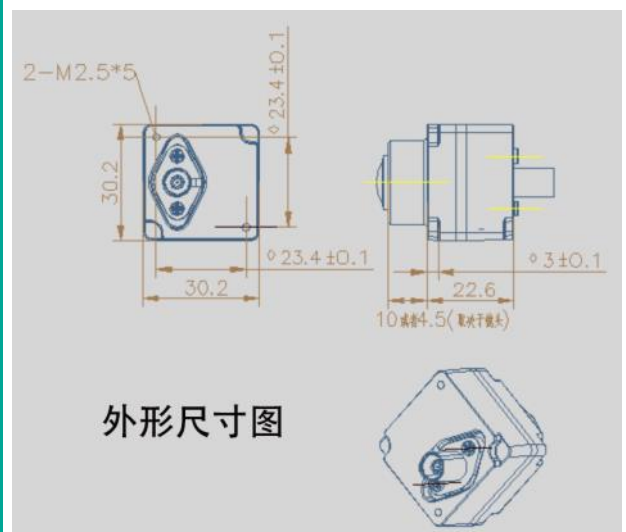
Key Features

| | |
|-----------------------|--|
| Sensor | ONSEMI 2.3MP AR0231 RGGB Sensor |
| ISP | ONSEMI AP0202 |
| Image Size | 1/2.7 inch CMOS |
| Output Pixels | 1920H*1080V |
| Pixel Size | 3um*3um Back Side Illuminated (BSI) |
| Frame Rate | 1920*1080 / 24fps |
| HDR Range | >120 dB |
| Output data | Parallel 8bit / YUV422 |
| Output pixel clock | TBD |
| Serializer | Maxim MAX96705 |
| Camera Interface | Coaxial |
| Power Supply | 5~12V POC (Power Over Coaxial) |
| Current | <200mA |
| Connector | Fakra Z Type |
| Operating temp. range | -40~+85°C |
| Waterproof | IP67 |
| Dimensions | W: 30mm, L:30mm, H:22.5mm |
| Weight | <50g |
| Lens | FOV 10~190° |



Application

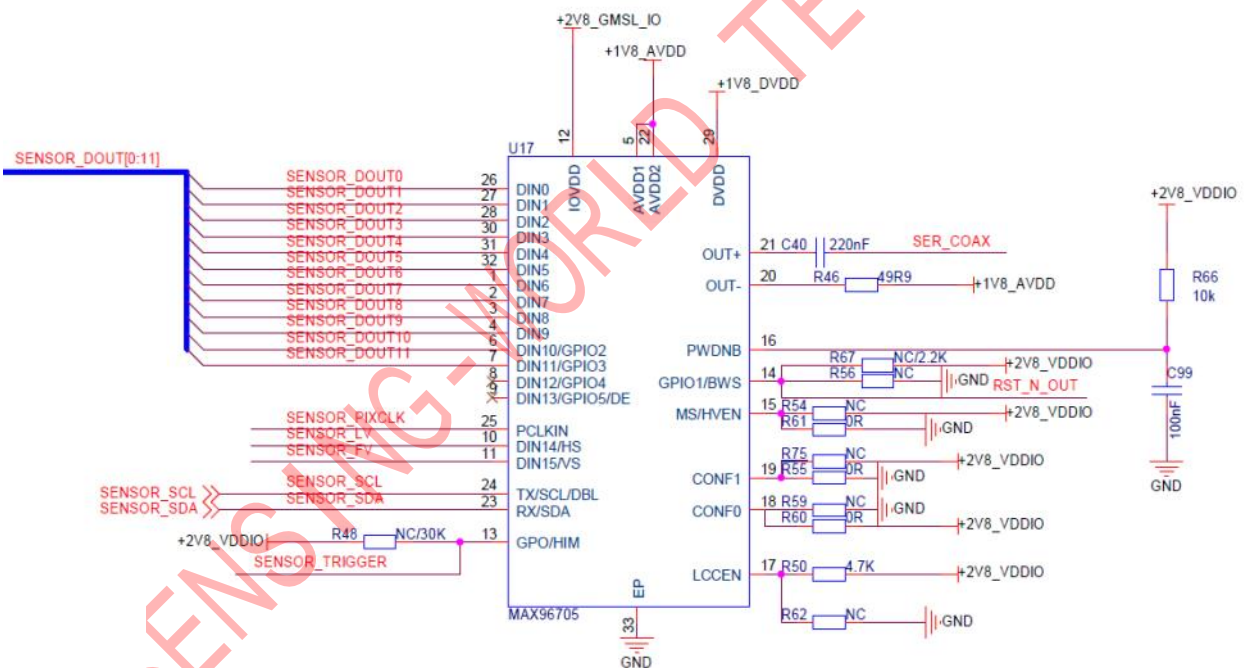
- Automotive ADAS
- ADAS + Viewing Fusion



Model SG2-AR0231-AP0202-GMSL-Hxxx

Hardware & Software

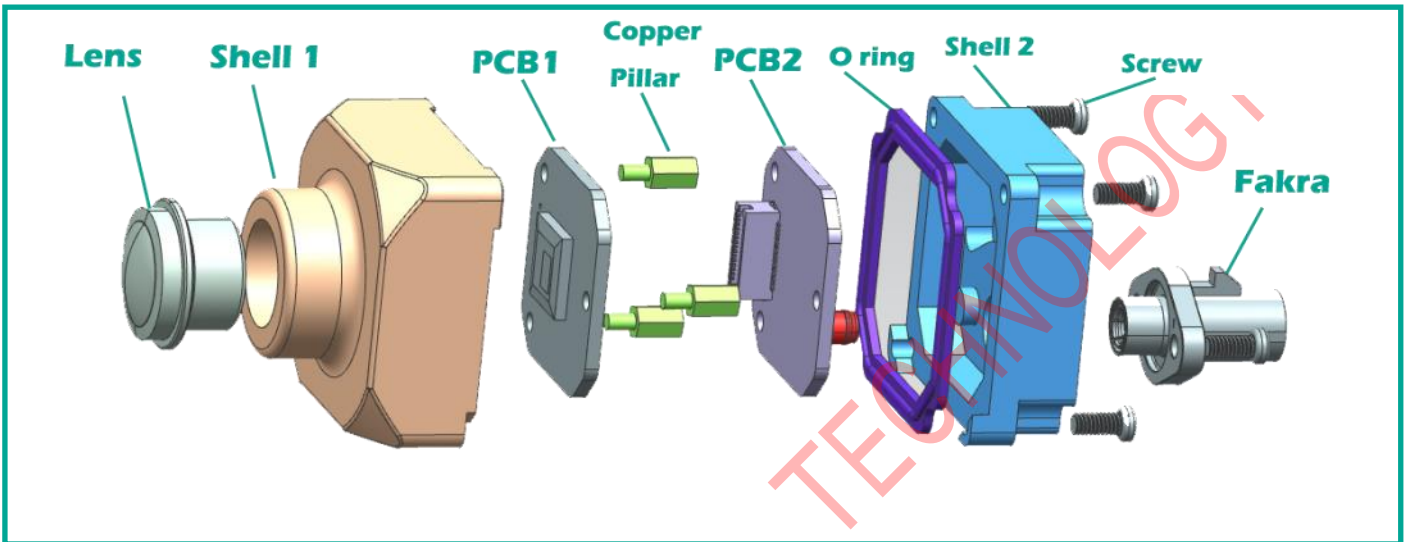
| | |
|----------------------|------|
| MAX96705 IIC Address | 0x80 |
| ISP IIC Address | 0xBA |



MAX96705 Circuit

Model SG2-AR0231-AP0202-GMSL-Hxxx

BOM



| # | Name | SPEC | QTY/SET |
|---|--------------|------------------------|---------|
| 1 | Lens | M12 Lens | 1 |
| 2 | Shell 1 | AL Black/M12 | 1 |
| 3 | PCB1 | Sensor board | 1 |
| 4 | Copper Pilar | 3*Copper | 3 |
| 5 | PCB2 | GMSL or GMSL+ISP board | 1 |
| 6 | O ring | silicon rubber | 1 |
| 7 | Shell 2 | AL Black | 1 |
| 8 | Screw | M2 | 4 |
| 9 | Fakra | Fakra Z Type | 1 |

Model
SG2-AR0231-AP0202-GMSL-Hxxx

Camera and cable

