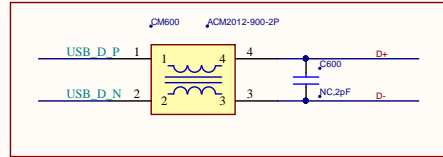
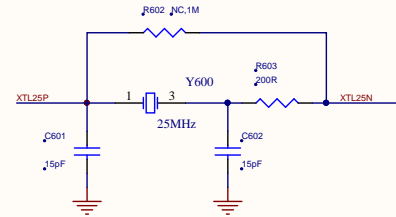


Optional for EMI



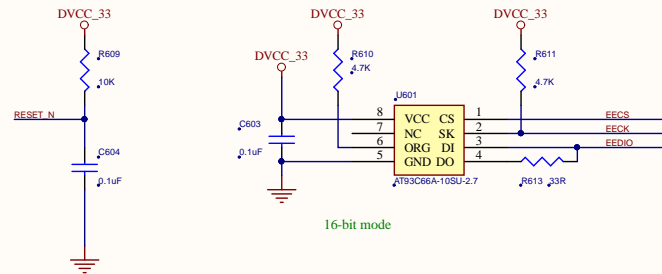
cap between the D+ and D- pins is used to filter the common-mode noise and should be placed as close as possible to AX88178A pin #23 and #24.

25MHz +/- 30ppm Crystal

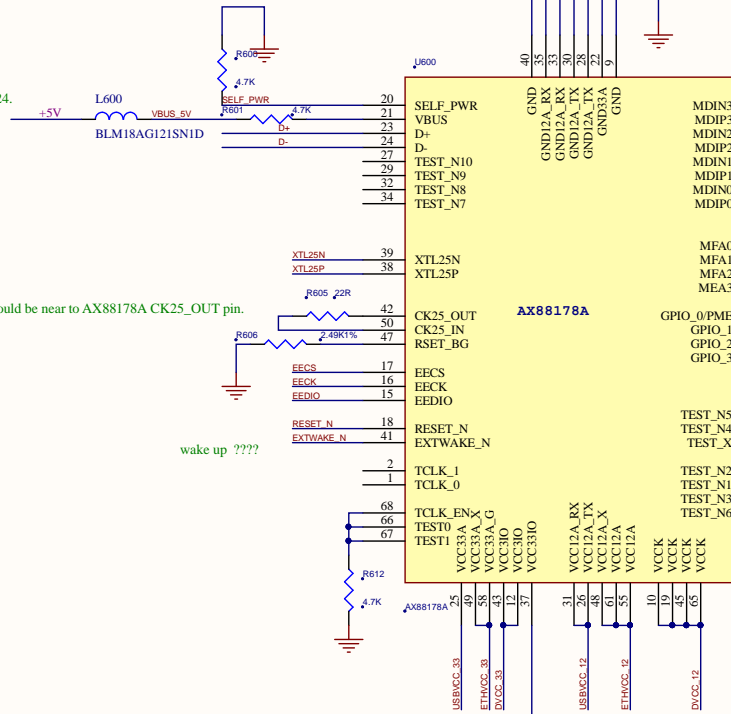


22R resistor should be near to AX88178A CK25\_OUT pin.

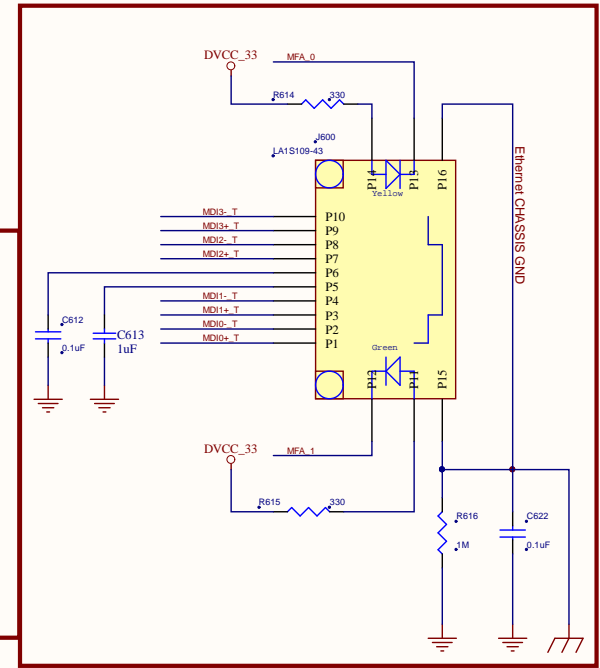
Reset Circuit



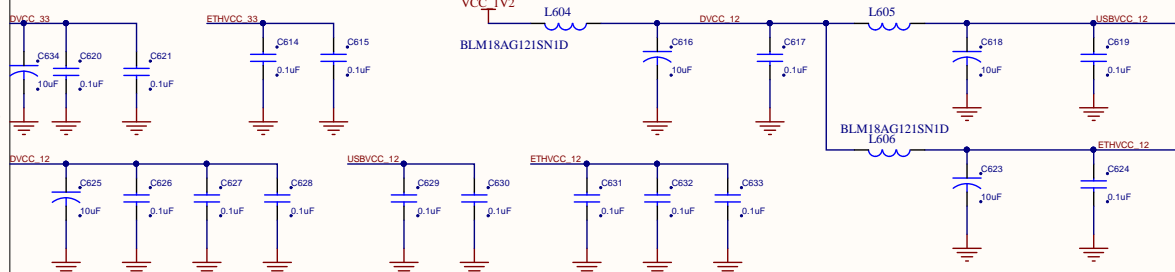
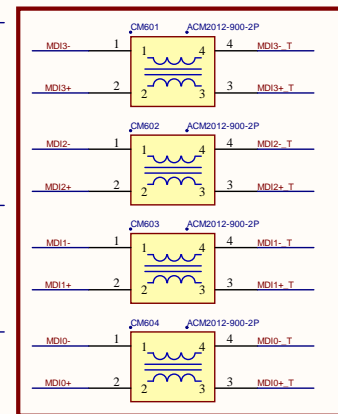
16-bit mode

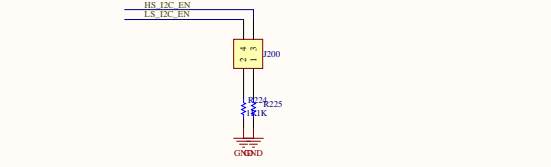
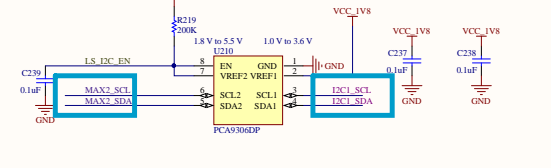
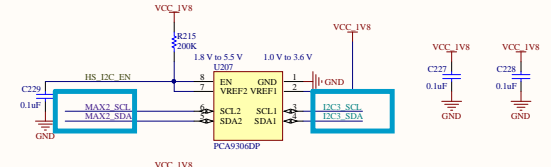
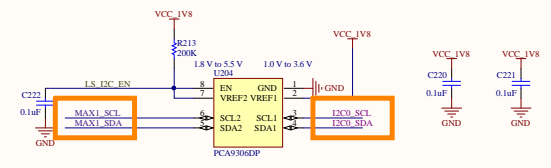
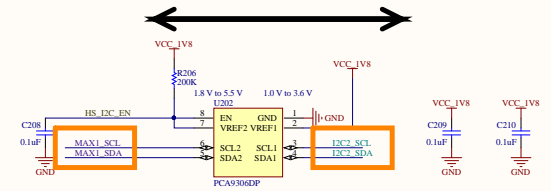
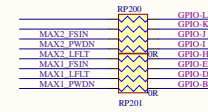


Signle RJ-45 Connector integrated Gigabit magnetic (Turns Ratio 1CT:1CT) & Ethernet LED Circuit



Optional for EMI

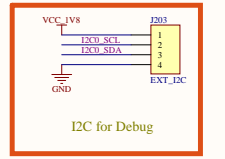




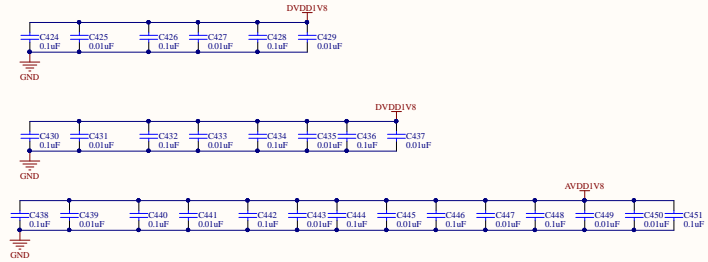
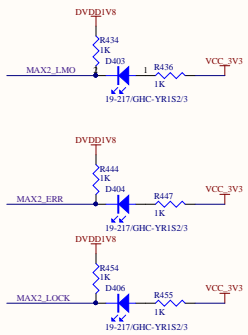
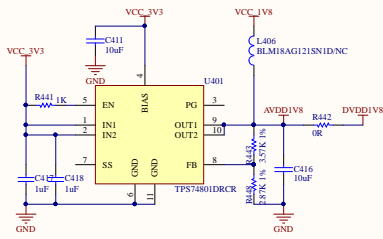
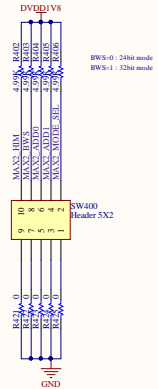
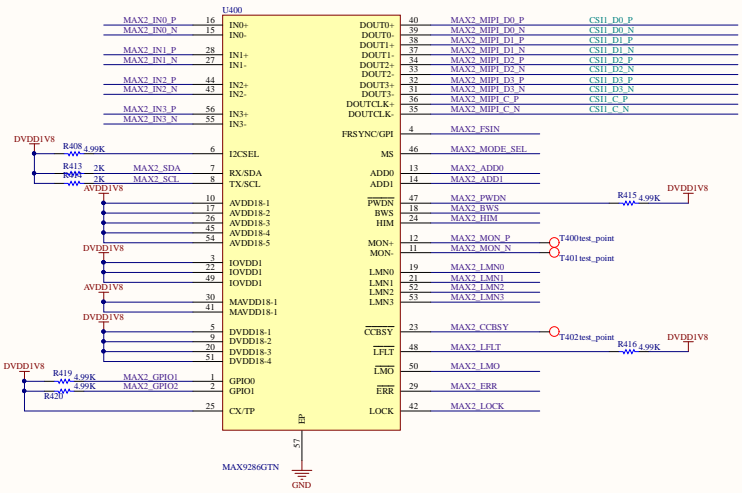
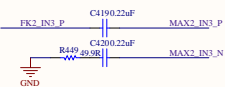
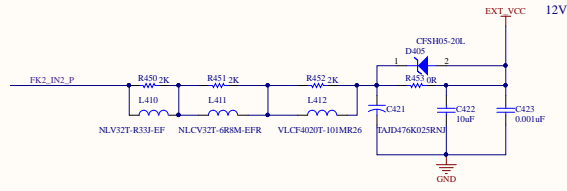
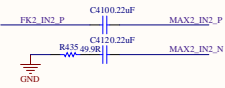
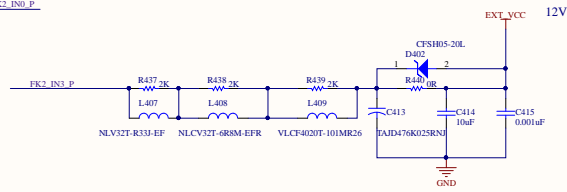
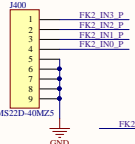
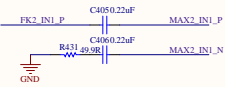
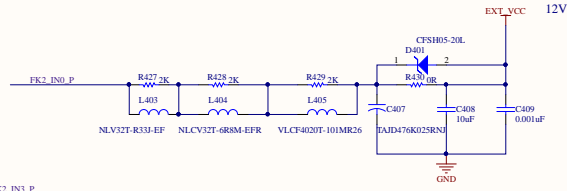
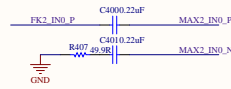
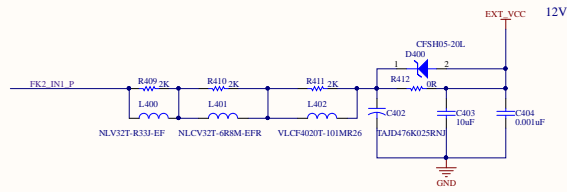
13: I2C from Low Speed Expansion Connector  
 24: I2C from High Speed Expansion Connector

J201		J202	
1	GND	1	SD_DATA0/SP1_D0OUT
2	PWR_BTN_N	2	SD_DATA1
3	EST_BTN_N	3	SD_DATA2
4	SP10_SCLK	4	SD_DATA3/SP1_CS
5	SP10_DIN	5	SD_SCLK/SP1_SCLK
6	SP10_DOUT	6	SD_CMD/SP1_DIN
7	SP10_CS	7	GND
8	SP10_CLK	8	CS10_D0_N
9	SP10_DOUT	9	CS10_D0_P
10	SP10_CLK	10	CS10_D1_N
11	SP10_DOUT	11	CS10_D1_P
12	SP10_CS	12	CS10_D2_N
13	SP10_CLK	13	CS10_D2_P
14	SP10_DOUT	14	CS10_D3_N
15	SP10_CS	15	CS10_D3_P
16	SP10_CLK	16	CS10_D4_N
17	SP10_DOUT	17	CS10_D4_P
18	SP10_CS	18	CS10_D5_N
19	SP10_CLK	19	CS10_D5_P
20	SP10_DOUT	20	CS10_D6_N
21	SP10_CS	21	CS10_D6_P
22	SP10_CLK	22	CS10_D7_N
23	SP10_DOUT	23	CS10_D7_P
24	SP10_CS	24	CS10_D8_N
25	SP10_CLK	25	CS10_D8_P
26	SP10_DOUT	26	CS10_D9_N
27	SP10_CS	27	CS10_D9_P
28	SP10_CLK	28	CS10_D10_N
29	SP10_DOUT	29	CS10_D10_P
30	SP10_CS	30	CS10_D11_N
31	SP10_CLK	31	CS10_D11_P
32	SP10_DOUT	32	CS10_D12_N
33	SP10_CS	33	CS10_D12_P
34	SP10_CLK	34	CS10_D13_N
35	SP10_DOUT	35	CS10_D13_P
36	SP10_CS	36	CS10_D14_N
37	SP10_CLK	37	CS10_D14_P
38	SP10_DOUT	38	CS10_D15_N
39	SP10_CS	39	CS10_D15_P
40	GND	40	RESERVED

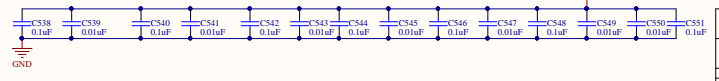
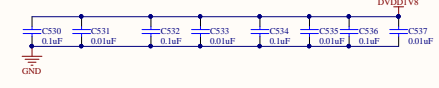
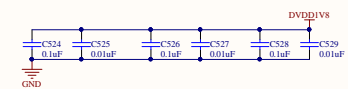
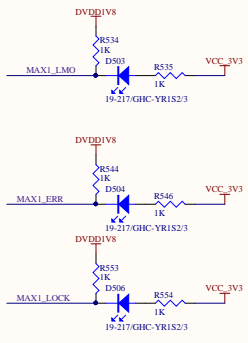
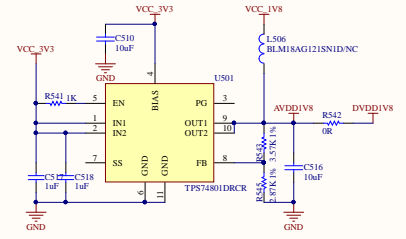
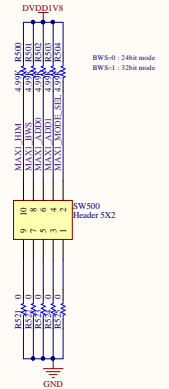
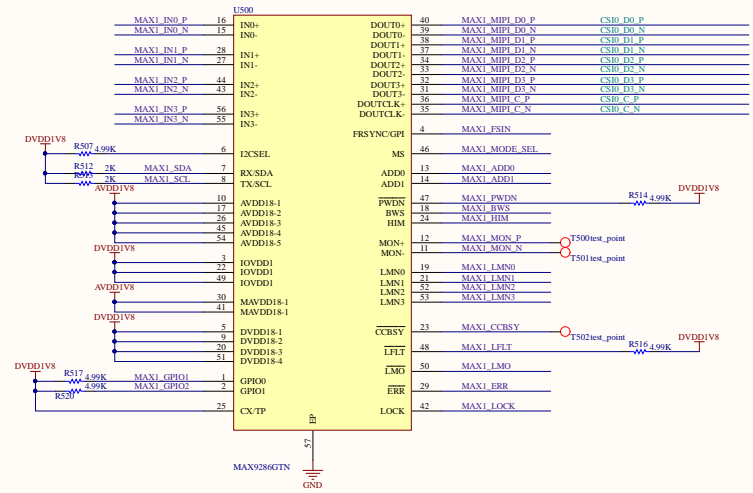
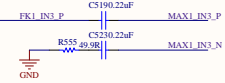
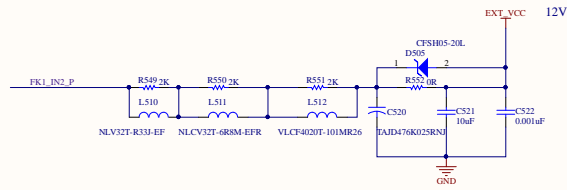
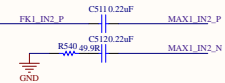
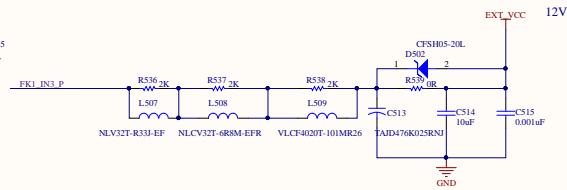
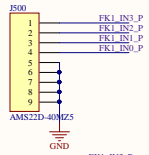
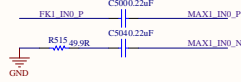
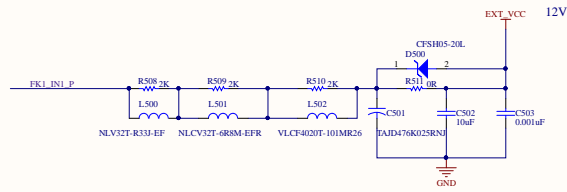
J202		J203	
1	SD_DATA0/SP1_D0OUT	1	I2C0_SCL
2	SD_DATA1	2	I2C0_SDA
3	SD_DATA2	3	EXT_I2C
4	SD_DATA3/SP1_CS	4	EXT_I2C
5	SD_SCLK/SP1_SCLK		
6	SD_CMD/SP1_DIN		
7	GND		
8	CS10_D0_N		
9	CS10_D0_P		
10	CS10_D1_N		
11	CS10_D1_P		
12	CS10_D2_N		
13	CS10_D2_P		
14	CS10_D3_N		
15	CS10_D3_P		
16	CS10_D4_N		
17	CS10_D4_P		
18	CS10_D5_N		
19	CS10_D5_P		
20	CS10_D6_N		
21	CS10_D6_P		
22	CS10_D7_N		
23	CS10_D7_P		
24	CS10_D8_N		
25	CS10_D8_P		
26	CS10_D9_N		
27	CS10_D9_P		
28	CS10_D10_N		
29	CS10_D10_P		
30	CS10_D11_N		
31	CS10_D11_P		
32	CS10_D12_N		
33	CS10_D12_P		
34	CS10_D13_N		
35	CS10_D13_P		
36	CS10_D14_N		
37	CS10_D14_P		
38	CS10_D15_N		
39	CS10_D15_P		
40	RESERVED		



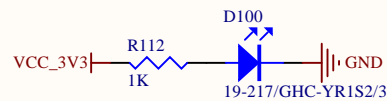
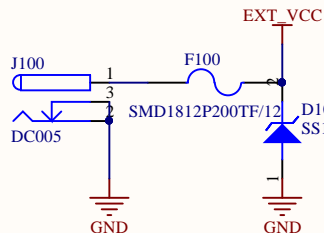
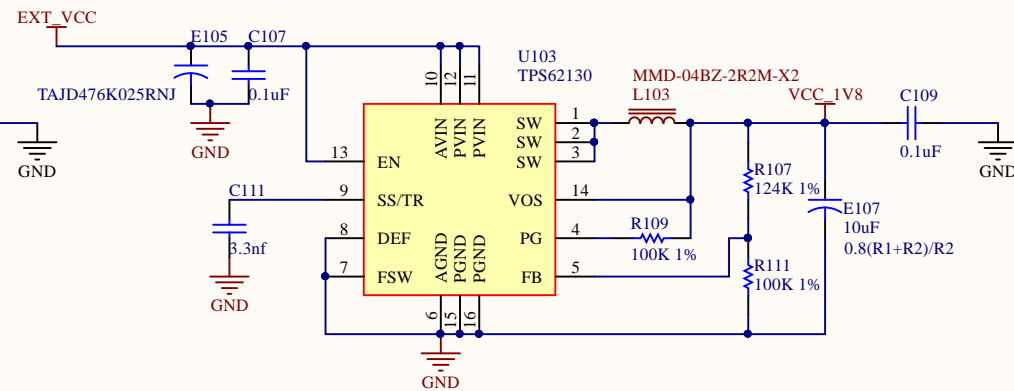
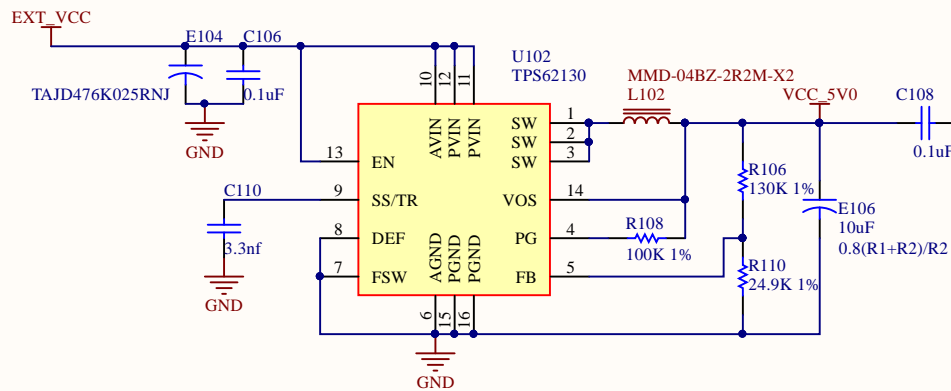
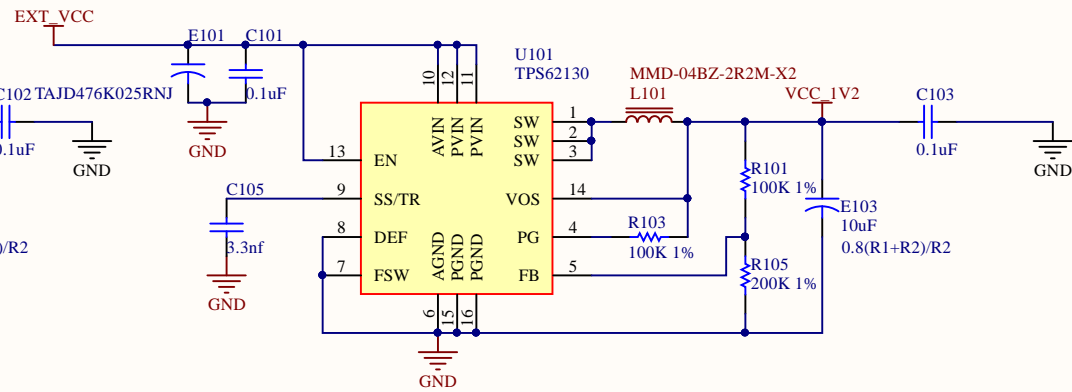
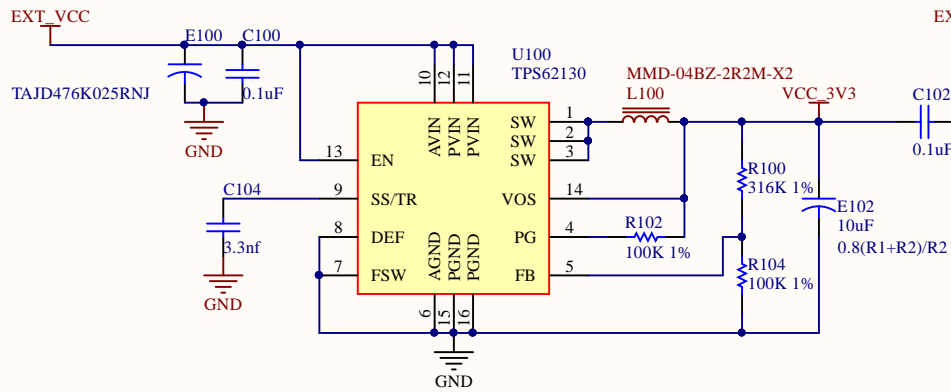
Title	Number	Revision
A2		
Date:	2020/8/25	Sheet of
File:	F:\project\2020\connec_SchDoc	Drawn By:



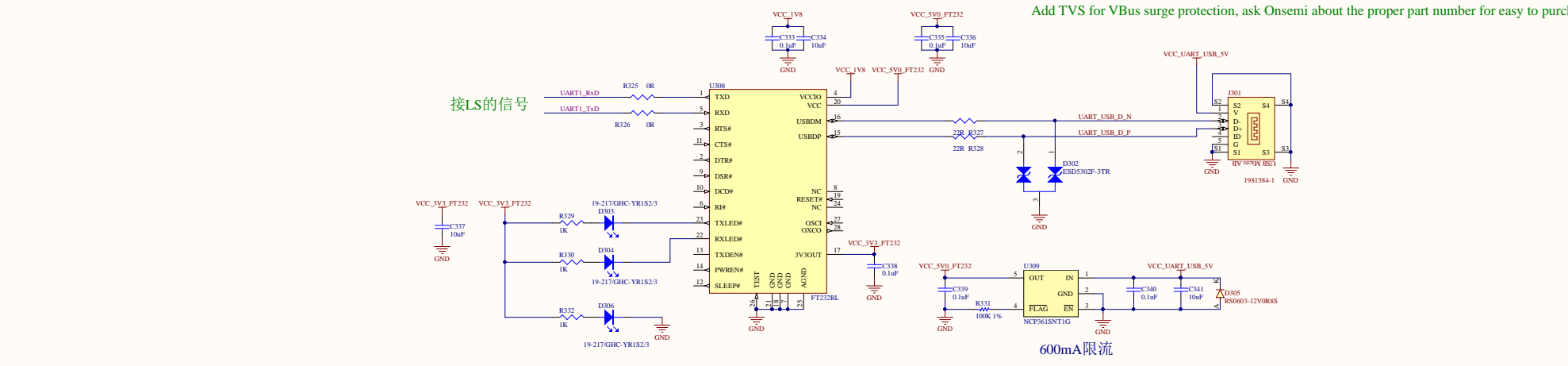
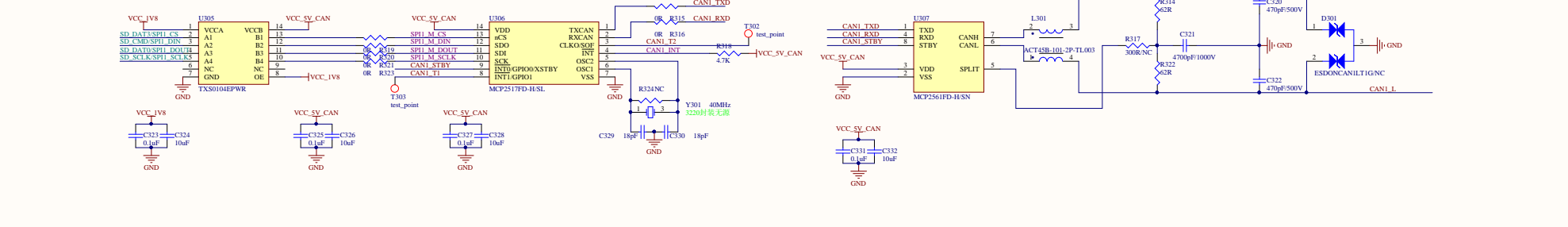
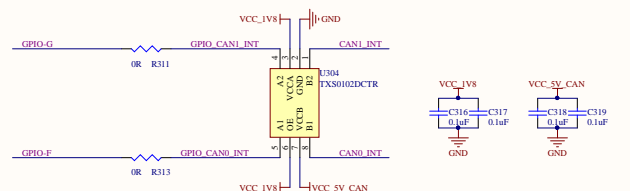
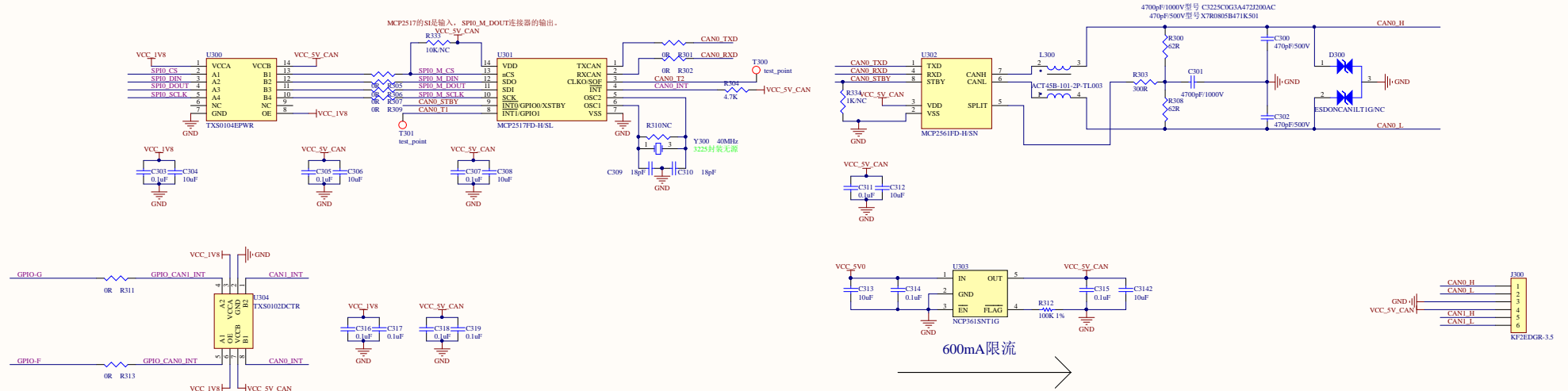
Title		
Size	Number	Revision
A2		
Date:	2020/8/25	Sheet of
File:	Paraguard_2020_MAX9286_2LANE_Sch	Drawn By:



Title		Revision	
Size	Number		
A2			
Date:	2020/8/25	Sheet of	
File:	Project_2020_MAX9286_4LANE_Sch	Drawn By:	



Title		
Size	Number	Revision
A4		
Date:	2020/8/25	Sheet of
File:	T:\project_2020\...\POWER.SchDoc	Drawn By:



Add TVS for VBus surge protection, ask Onsemi about the proper part number for easy to purchase.

Title		Revision
Size	Number	
Date	2020/8/25	Sheet of
File	Project_2020_usb_to_can_SchDoc	Drawn By